



RS-60 Skid Steer Loader



RS-60 Brief Specifications

Operating weight:	6,370 lbs 2889 kg
Tipping load:	4,000 lbs 1814 kg
Breakout force:	4,750 lbs 2154 kg
Gross engine power:	60 hp 44.7 kW

OPERATING SPECIFICATIONS

Loader arms	Radial
Operating weight	6,370 lbs 2889 kg
Shipping weight	5,636 lbs 3010 kg
Operating capacity, 50% of tipping load	2,000 lbs 907 kg
Tipping load	4,000 lbs 1814 kg
Travel speed, maximum - 1 st speed	7.4 mph 11.9 kph
Travel speed, maximum - 2 nd Speed (optional)	12 mph 19.3 kph
Breakout force at bucket edge	4,750 lbs 2154 kg
Arm lifting force	4,750 lbs 2154 kg
Ground clearance, unloaded	10.5 in. 267 mm
Ground clearance, loaded	10 in. 254 mm
Width over tires	66 in. 1676 mm
Width over tires with rims reversed	60 in. 1524 mm

ENGINE

Type	Diesel, 4-cylinder, turbocharged
Model	Perkins 404D-22T
Displacement	134 in ³ 2.2 L
Gross power rating @ 2800 rpm	60 hp 44.7 kW
Torque, peak	140 ft-lb 190 Nm
Cooling system	Engine-driven fan and coolant/ anti-freeze-filled radiator
Intake air cleaner	Dual stage
Emission controls	Meets all U.S. EPA Tier 4 final standards

DRIVE TRAIN

Drive system	Hydrostatic
Chain case	Bow tie drive system
Chain size	80 ANSI chain
Wheel size	10x16.5
Tractive effort	8,453 lbs 3826 kg

* Machine tested with foundry bucket

AUX. HYDRAULIC SYSTEM

Pump capacity	17.1 gpm 65 lpm
System pressure, max.	3,335 psi 230 bar
Controls	Intermittent via joystick button or continuous via console switch, mode selectable via dash-mounted switch
Couplers	Push-to-connect quick couplers mounted on loader arms Pressure relief valve mounted to coupler block
Cooling system	High efficiency side-by-side radiator and oil cooler

ELECTRICAL SYSTEM

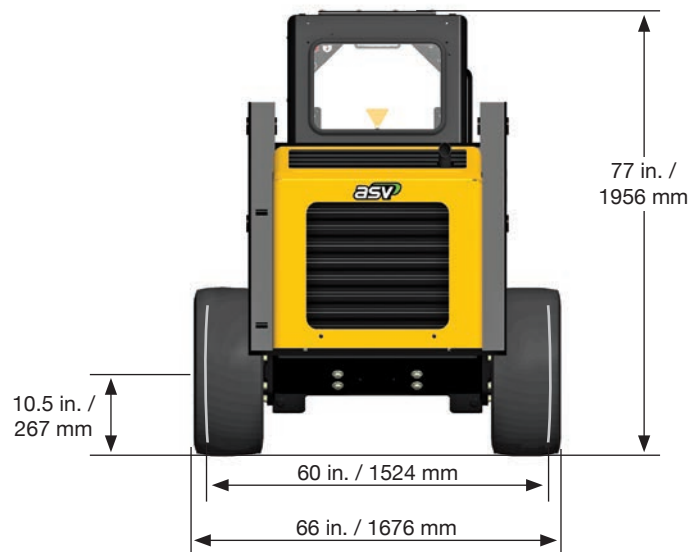
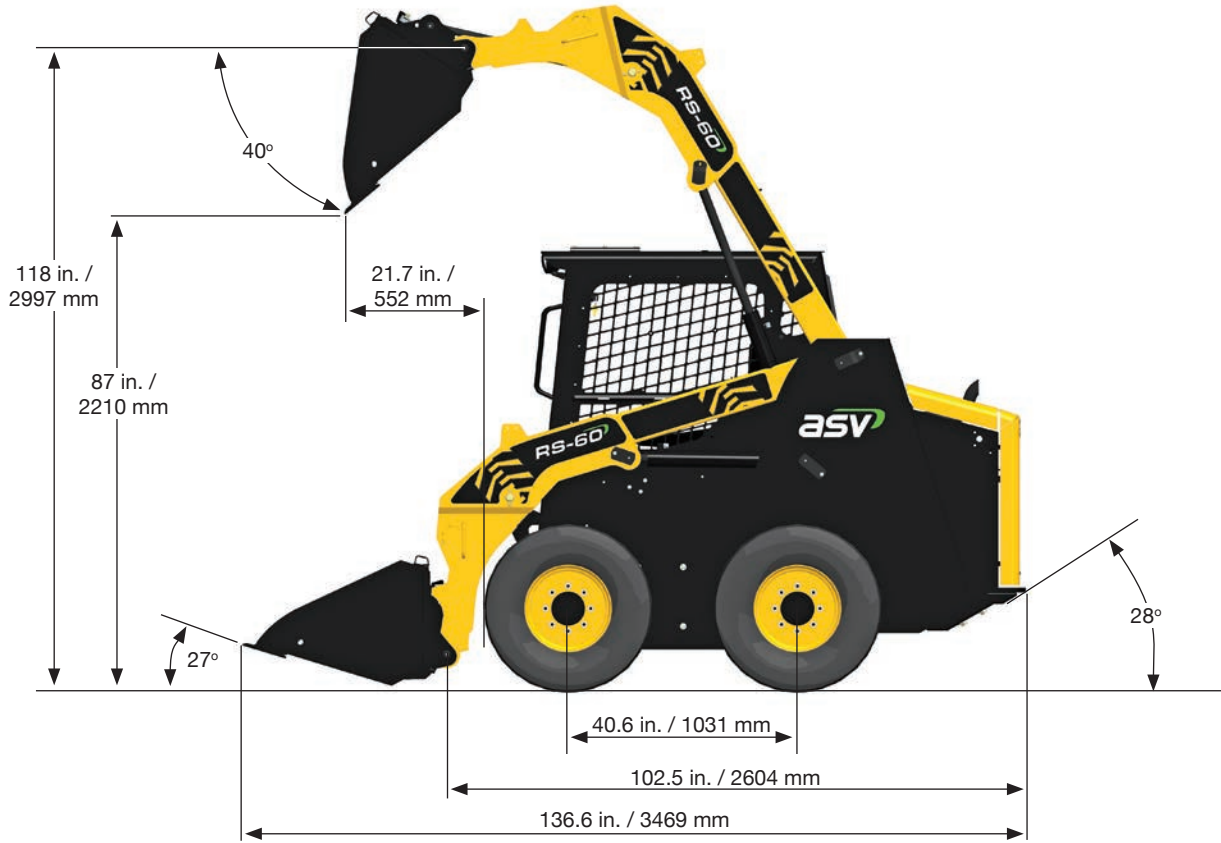
Nominal charge	12 V
Battery	770 CCA
Charging system	65 amp alternator
Outlets	1-12 V port inside operator station
Wiring	Pre-wired for all factory-available accessories

OPERATOR STATION

Seat:	Adjustable contour vinyl with built-in operator presence switch, lap bar and 2 in 51 mm wide seat belt
Loader control:	Right-hand pilot hydraulic joystick controls loader lift, lower and tilt, plus intermittent control of auxiliary hydraulic
Drive control:	Left-hand pilot hydraulic joystick controls machine speed and direction
Engine speed	Foot throttle
Indicators & gauges	Engine oil low-pressure light Hydraulic oil high-temperature light Engine high-temperature light Low battery voltage light Tachometer Hour meter Fuel gauge
ROPS / FOPS	Meets ISO 3471, ISO 6683, ISO 3449:2005 Level 1
Illumination	4 - Fixed forward-facing halogen lights 2 - Adjustable rear-facing halogen light 1 - Interior light
Convenience	12 V power port
Horn	
Backup alarm	
Sound insulation	
Rear window	

DIMENSIONS

RS-60



SERVICE REFILL CAPACITIES

Fuel tank	25 gal 95 L
Hydraulic tank	8 gal 30 L
Engine coolant/antifreeze	3.5 gal 13 L
Engine oil, including filter	11.2 quarts 10.6 L

OPTIONAL ATTACHMENTS

Auger drive and bits	Grapple bucket
Backhoe	Pallet forks
Broom, rotary	Power box rake
Bucket, general purpose	Snow blade
Bucket, light material	Snow blower
Bucket, multi-purpose	Stump grinder
Brush cutter, rotary	Trencher
Dozer blade	Vibratory roller
Eliminator rake	



Effective Date: November, 2016

Product specifications and prices are subject to change without notice or obligation. The photographs and/or drawings in this document are for illustrative purposes only. Refer to the appropriate Operator's Manual for instructions on the proper use of this equipment. Failure to follow the appropriate Operator's Manual when using our equipment or to otherwise act irresponsibly may result in serious injury or death. The only warranty applicable to our equipment is the standard written warranty applicable to the particular product and sale and ASV makes no other warranty, express or implied. © 2017 ASV Holdings, Inc. ASV, the ASV logo design and Positrack are trademarks of ASV Holdings, Inc.

ASV Holdings, Inc.

840 Lily Lane
Grand Rapids, MN
55744-4089

Toll-free: (800) 205-9913
Fax: (218) 327-2297
www.asvi.com

